

# INSTALLATION MANUAL

## METAL CBU

### TYPES I, II, III, AND IV

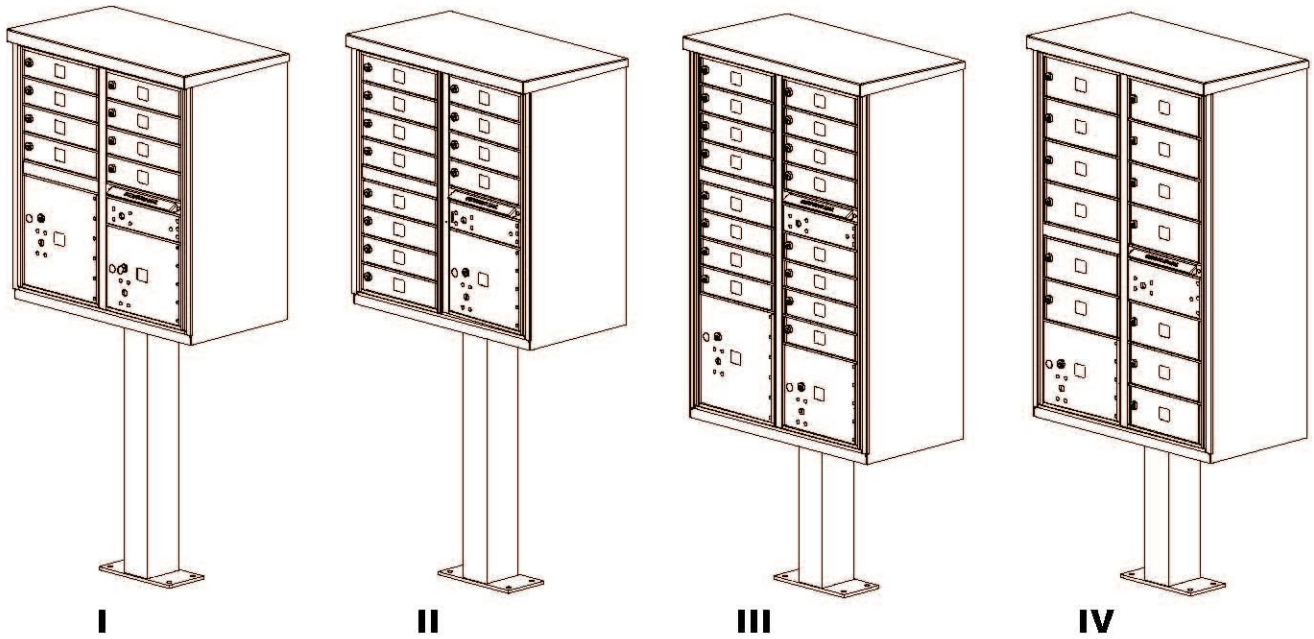
### 1570 "F" SERIES



## TABLE OF CONTENTS

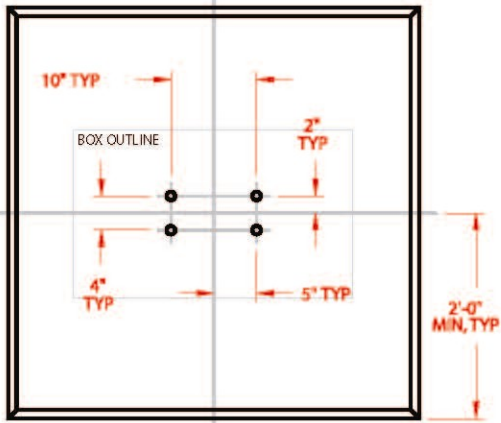
<i>DESCRIPTION</i>	<i>PAGE</i>
<i>CBU INFORMATION</i>	<i>2</i>
<i>SITE PREPARATION AND PEDESTAL INSTALLATION</i>	<i>3</i>
<i>SECURITY TOOL REQUIREMENTS</i>	<i>4</i>
<i>INSTALLATION OF AN ARROW LOCK</i>	<i>5</i>
<i>PARCEL ARROW LOCK INSTALLATION</i>	<i>7</i>
<i>PEDESTAL TO CBU INSTALLATION</i>	<i>9</i>

*THIS PAGE INTENTIONALLY LEFT BLANK.*

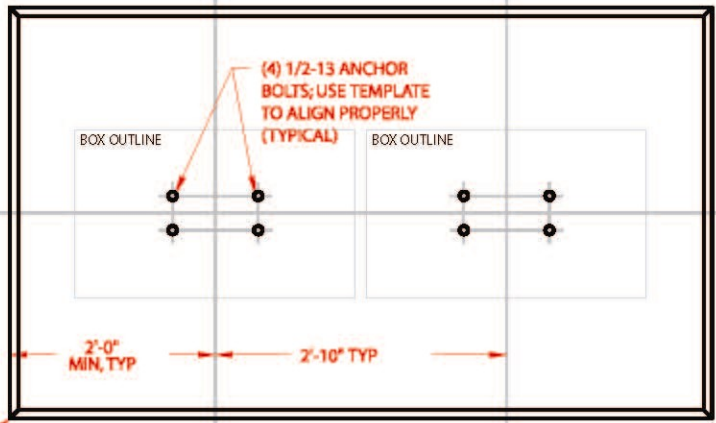


	<b>TYPE I</b>	<b>TYPE II</b>	<b>TYPE III</b>	<b>TYPE IV</b>
<b>INSTALLED HEIGHT</b>	62"	62"	62"	62"
<b>DEPTH</b>	17-7/8"	17-7/8"	17-7/8"	17-7/8"
<b>WIDTH</b>	30-1/2"	30-1/2"	30-1/2"	30-1/2"
<b>WEIGHT (WITHOUT PEDESTAL)</b>	107 LBS	111 LBS	147 LBS	137 LBS
<b>WEIGHT (WITH PEDESTAL)</b>	125 LBS	129 LBS	162 LBS	152 LBS
<b>QTY OF STANDARD COMPARTMENTS</b>	8	12	16	13
<b>QTY OF PARCEL COMPARTMENTS</b>	2	1	2	1
<b>PARCEL COMPARTMENT HEIGHT</b>	10", 13"	10"	10", 13"	10"

**SINGLE UNIT**



**MULTI-UNITS**



CHAMFER ALL EDGES IN LANDSCAPE AREAS. TOOL FLUSH WITH ADJOINING SURFACES IN PAVED AREAS.

ARRANGE MULTIPLE ANCHOR BOLT SETS AS REQUIRED; BASE NOT TO EXCEED 16'-0"

NOTE:  
CONCRETE SHALL HAVE A COMPRESSIVE STRENGTH OF 3000 PSI @ 28 DAYS, CONTAIN 4% MIN ~ 6% MAX AIR ENTRAPMENT AND BE PLACED WITH A 3.50 ~ 4.50 SLUMP IN ACCORDANCE TO 301.

CBU PEDESTAL

MATCH EXISTING GRADE IN PAVED AREAS

REINFORCING STEEL RODS ON 14.00" CENTERS MAXIMUM EACH WAY (CONFORMING TO ASTM A615 GRADE 60)

8.00 MIN

4X 4.00

8.00 MIN

OPTIONAL COMPACT GRAVEL OR CRUSHED STONE (OMIT WHERE SOLID ROCK OCCURS)

FIRM UNDISTURBED SOIL OR WELL-COMPACTED FILL

MAXIMUM FROST DEPTH

SLOPE SURFACE 0.25 INCH PER FOOT ON ALL SIDES FOR DRAINAGE

4X 4.50 MIN

EXTERIOR VIEW OF ANCHORS

MOUNTING NUT/WASHER (NOT INCLUDED)

BUTYL RUBBER PAD

4X .50 DIA ANCHOR BOLTS (CONFORMING TO ASTM A193, GRADE B8M TYPE 316 STAINLESS STEEL, NOT INCLUDED)

BROOM FINISH

3.00

**SITE PREPARATION AND PEDESTAL INSTALLATION METAL CBU TYPES I, II, III, AND IV 1570 "F" SERIES**

# **IMPORTANT NOTICE FOR USPS INSTALLERS**

## **METAL CBU TYPES I, II, III, AND IV**

### **1570 "F" SERIES**

*INSTALLER MUST ORDER McGARD SCREW DRIVER  
(USPS - MAIL EQUIPMENT SHOP PART NUMBER 110050)  
TO INSTALL AND SERVICE THE PARCEL ARROW LOCK COVER  
ON THE NEW AUTH-FLORENCE CBU.*

*IF THE  
**McGARD SCREW DRIVER MES NO. 110050**  
NEEDS TO BE ORDERED  
IT MAY BE ORDERED BY FAXING AN "OFF CATALOG" eBUY REQUEST TO:*

**USPS MAIL EQUIPMENT SHOP**  
**FAX NO. (202) 281-2643**



*QUESTIONS? CALL THE USPS MAIL EQUIPMENT SHOP AT (202) 281-2620*

# INSTALLATION OF AN ARROW LOCK

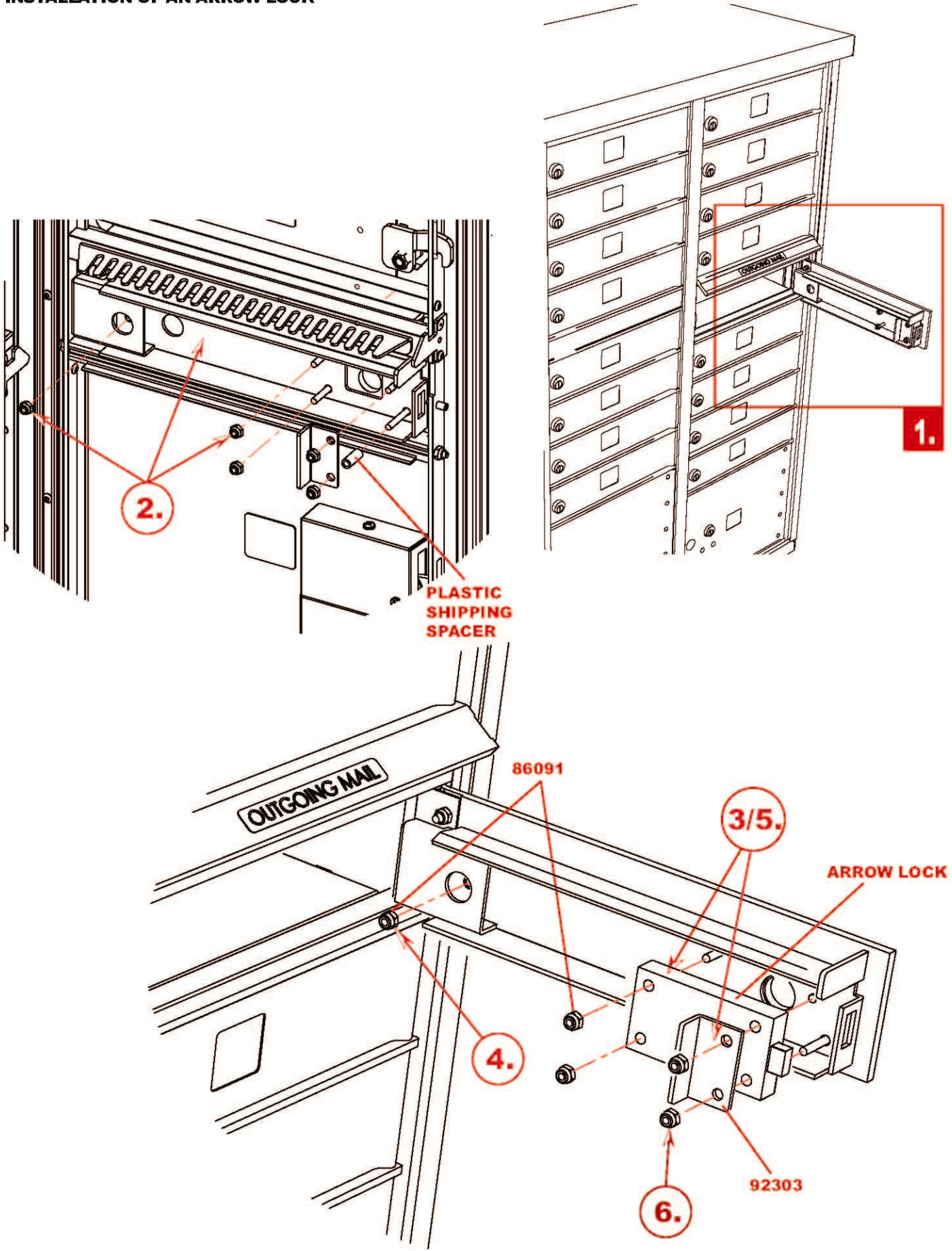
## METAL CBU TYPES I, II, III, AND IV

### 1570 "F" SERIES

- 1.** OPEN ARROW LOCK DOOR.
  
- 2.** REMOVE FIVE (5) 86091 10-32 LOCK NUTS, AS WELL AS 92303 LOCK SUPPORT PLATE (DISPOSE OF PLASTIC SHIPPING SPACER).
  
- 3.** PLACE ARROW LOCK IN TO ARROW LOCK SECURITY BRACKET AND POSITION ON DOOR.
  
- 4.** REPLACE ONE (1) 86091 10-32 LOCK NUT IN THE REAR POSITION TO SECURE ARROW LOCK SECURITY BRACKET.
  
- 5.** INSTALL 92303 LOCK SUPPORT PLATE AS SHOWN.
  
- 6.** REPLACE FOUR (4) 86091 10-32 LOCK NUTS. TORQUE 250 TO 30 INCH-POUNDS.

REQUIRED TOOLS	PART #	DESCRIPTION
	86091	10-32 LOCK NUT
3/8" SOCKET WRENCH	92300	ARROW LOCK SECURITY BRACKET
	92303	LOCK SUPPORT PLATE
		ARROW LOCK

# INSTALLATION OF AN ARROW LOCK



# PARCEL ARROW LOCK INSTALLATION

## METAL CBU TYPES I, II, III AND IV

### 1570 "F" SERIES

- 1.** OPEN PARCEL DOOR, REMOVE AND DISCARD FOUR (4) PLASTIC SHIPPING RETAINERS (TWO ON LATCHING ASSEMBLY COVER AND TWO ON ARROW LOCK COVER).
  
- 2.** REMOVE PLASTIC BAG OF FASTENERS (IT CONTAINS ALL FASTENERS NECESSARY TO INSTALL POSTAL LOCK IN ONE PARCEL DOOR).
  
- 3.** INSTALL ARROW LOCK AS SHOWN AND SECURE WITH FOUR (4) 86091 10-32 LOCK NUTS. TORQUE 25 to 30 INCH-POUNDS.
  
- 4.** INSTALL LATCHING ASSEMBLY COVER 91255 USING TWO (3) 84994 10-32 X .375 UNF-2A 18-8 SS PASSIVATED 1-WAY TAMPER PROOF FASTENERS.
  
- 5.** INSTALL ARROW LOCK COVER 91259 USING TWO (2) 84993 10-32 X .312 UNF-2A 18-8 SS PASSIVATED MCGARD FASTENERS.

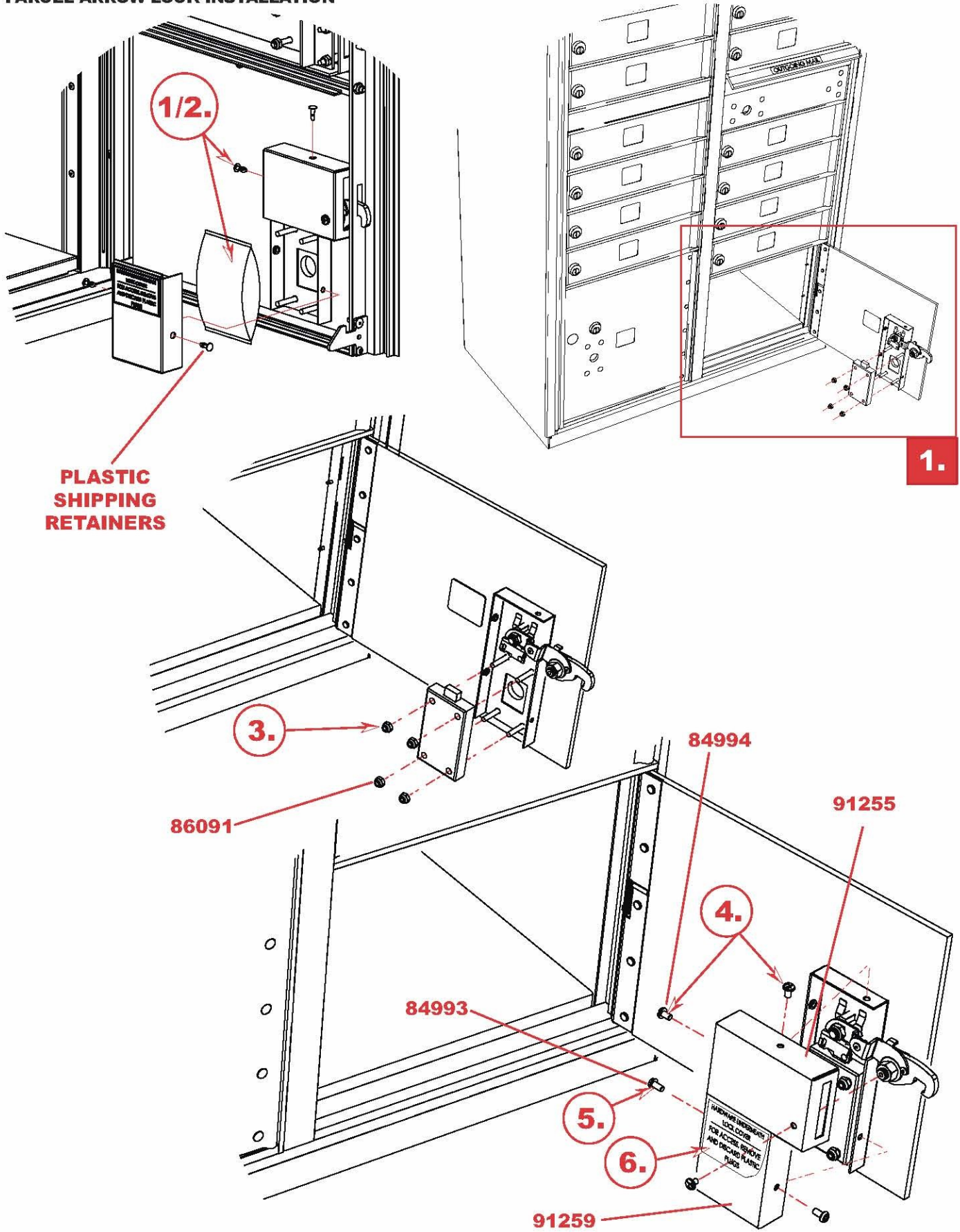
- 6.** REMOVE LABEL FROM COVER.

REQUIRED TOOLS
FLAT SCREWDRIVER
USPS PROPRIETARY MCGARD TOOL
3/8" SOCKET WRENCH
PLIERS

PART #	DESCRIPTION
84993	10-32 x .312 UNF-2A 18-8 SS PASSIVATED MCGARD
84994	10-32 X .375 UNF-2A 18-8 SS PASSIVATED 1-WAY TAMPER PROOF
86091	10-32 LOCK NUT
91255	LATCHING ASSEMBLY COVER
91259	ARROW LOCK COVER
	ARROW LOCK



# PARCEL ARROW LOCK INSTALLATION



# PEDESTAL TO CBU INSTALLATION

## METAL CBU TYPES I, II, III AND IV

### 1570 "F" SERIES

- 1.** OPEN MASTER LOADING DOORS.
  
- 2.** REMOVE LEFT AND RIGHT SIDE 91079 FLOATING SHELVES, EXPOSING MOUNTING HOLES.
  
- 3.** PLACE UNIT ON PEDESTAL.
  
- 4.** FROM UNDERNEATH UNIT, INSERT FOUR (4) 86101 3/8-16 X 1.25 CARRIAGE BOLTS UPWARD.
  
- 5.** FROM INSIDE PARCEL COMPARTMENTS, ADD FOUR (4) 86097 3/8" X .688 OD LOCK WASHER AND TIGHTEN FOUR (4) 86089B 3/8-16 HEX NUTS. TORQUE TO 22 FOOT-POUNDS.
  
- 6.** REPLACE LEFT AND RIGHT SIDE 91079 FLOATING SHELVES.

REQUIRED TOOLS	PART #	DESCRIPTION
	86089B	3/8-16 HEX NUT
9/16" SOCKET WRENCH	86101	3/8-16 X 1.25 CARRIAGE BOLT
	91079	FLOATING SHELF
	91129	PEDESTAL FOR TYPE I, II
	91121	PEDESTAL FOR TYPE III, IV
	86097	3/8" X .688 OD LOCK WASHER

# PEDESTAL TO CBU INSTALLATION

