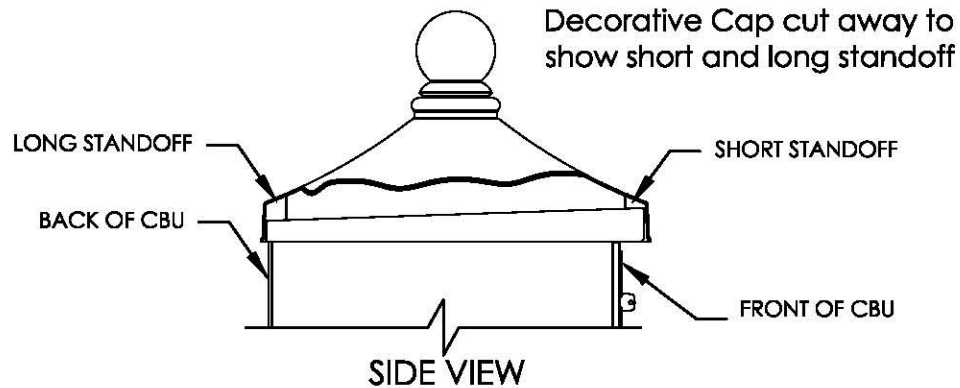
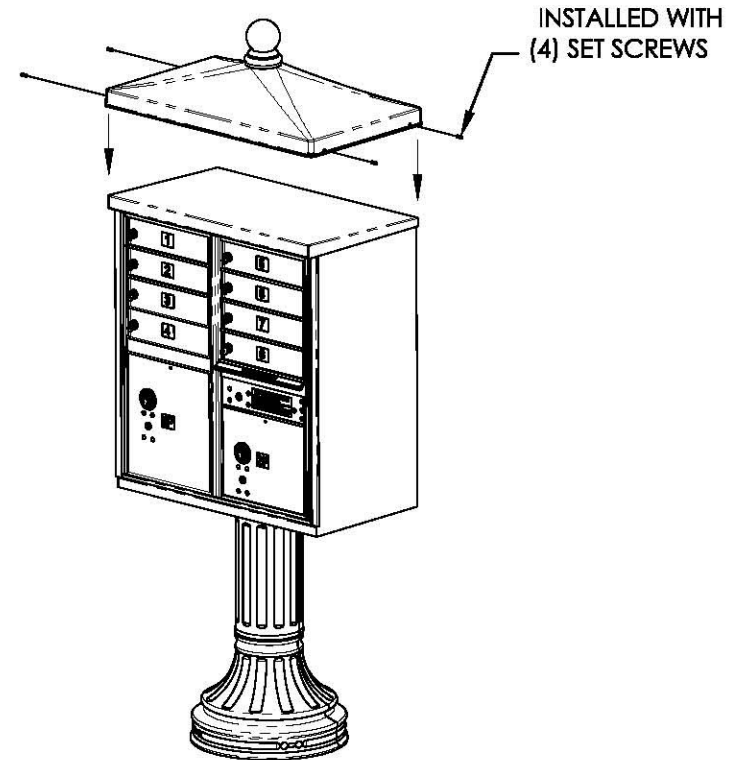
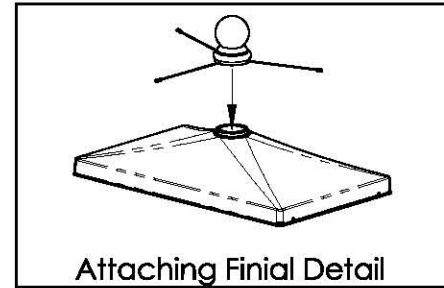


vogue™ Traditional Series Finial Cap

Assembly Instructions

- 1 These instructions assume that you have already properly installed the vital™ Cluster Box Unit (CBU). If the CBU has not yet been installed, please refer to the instructions that came with the vital™ CBU.
- 2 Attach the finial to the top of the decorative cap by using the three 1/4" headless set screws. Do not over tighten.
- 3 Secure the decorative cap unit to the CBU using the four 1/2" headless set screws.
- 4 Make sure the short standoff tabs on the underside of the cap are to the front. The roof should sit level with the ground after assembly. Do not over tighten and make sure all screws are tightened evenly.

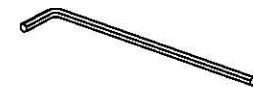


HARDWARE

 1/2" SET SCREW (4)

 1/4" SET SCREW (3)

TOOLS



ALLEN WRENCHES
(NOT INCLUDED)