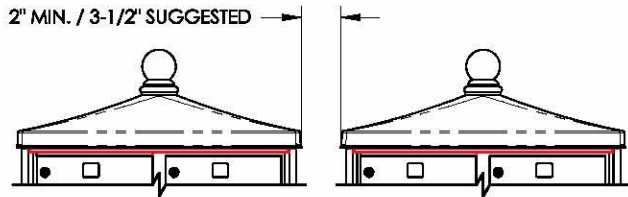
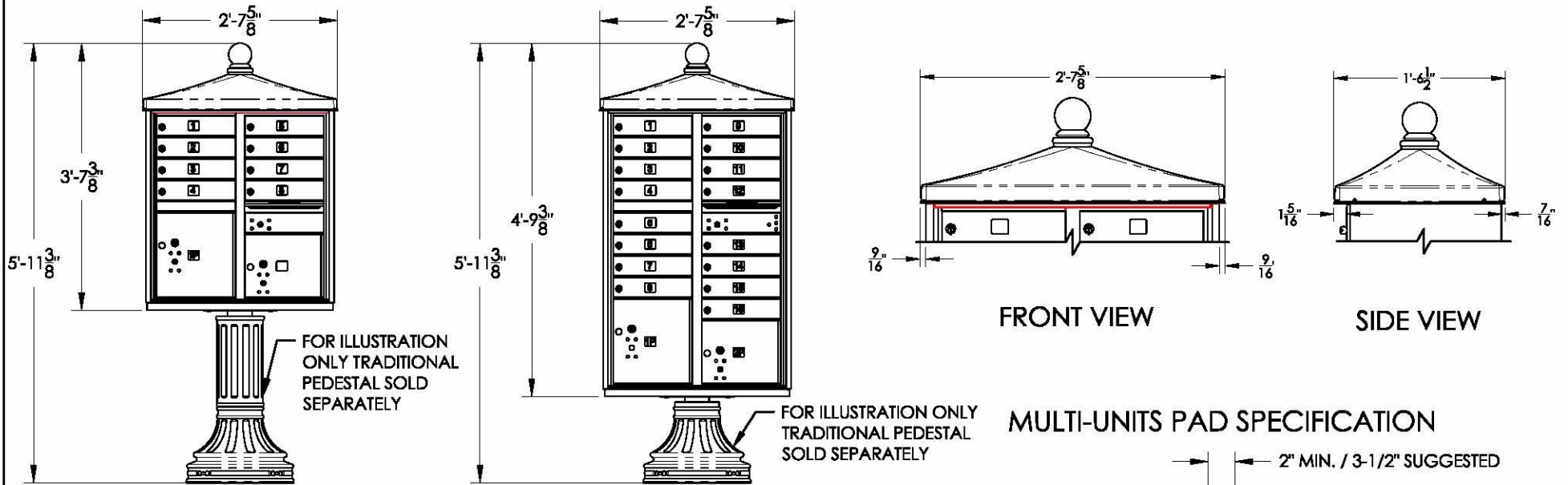


vogue™ TRADITIONAL SERIES FINIAL CAP CUTSHEET



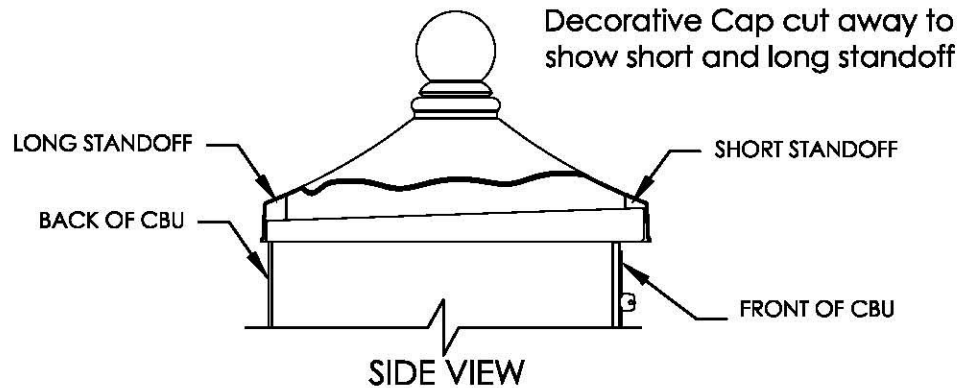
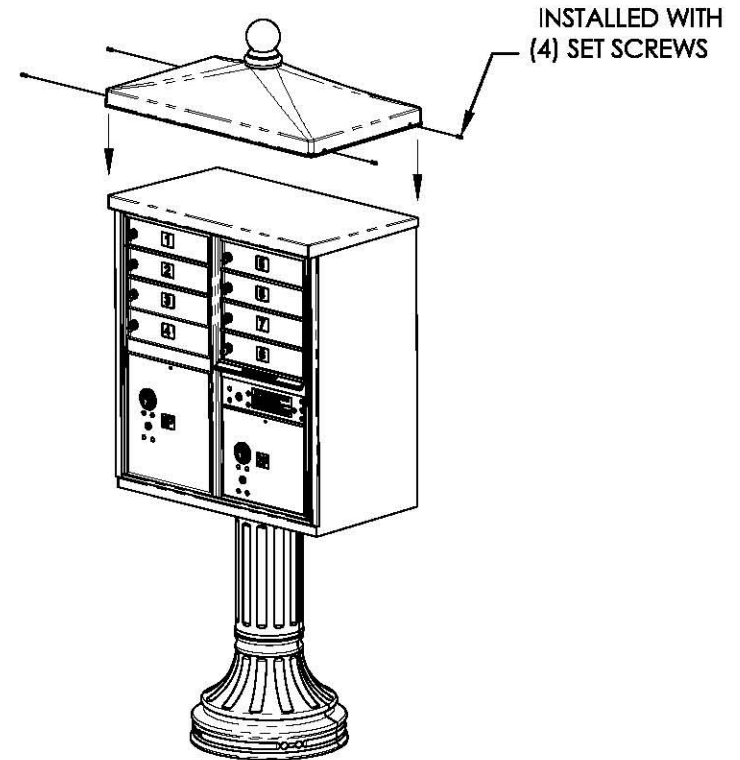
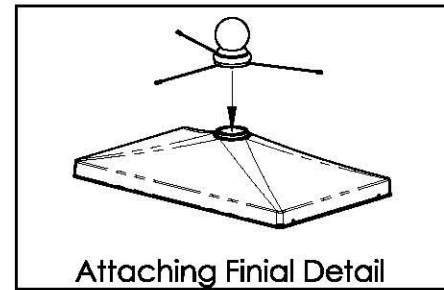
**IMPORTANT CLEARANCE SPEC
SEE MULTI UNIT PAD SPECIFICATION
FOR BOLT PATTERN AND SPACING**

- NOTES:
1. TRADITIONAL FINIAL CAP DESIGN REQUIRES ADDITIONAL SPACE BETWEEN CBU's. FOR MULTIPLE CBU INSTALLATIONS SEE IMPORTANT CLEARANCE SPEC ABOVE.
 2. TRADITIONAL CAP AND PEDESTAL COVER SOLD SEPARATELY.
 3. TRADITIONAL FINIAL CAP AVAILABLE IN ALL STANDARD CBU POWDER COAT FINISHES.
 4. FINIAL CAP INSTALLED USING (4) SET SCREWS. HARDWARE INCLUDED.
 5. FINIAL CAP DESIGNED TO FIT OVER 1570 SERIES CBU.

vogue™ Traditional Series Finial Cap

Assembly Instructions

- 1 These instructions assume that you have already properly installed the vital™ Cluster Box Unit (CBU). If the CBU has not yet been installed, please refer to the instructions that came with the vital™ CBU.
- 2 Attach the finial to the top of the decorative cap by using the three 1/4" headless set screws. Do not over tighten.
- 3 Secure the decorative cap unit to the CBU using the four 1/2" headless set screws.
- 4 Make sure the short standoff tabs on the underside of the cap are to the front. The roof should sit level with the ground after assembly. Do not over tighten and make sure all screws are tightened evenly.

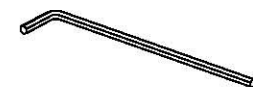


HARDWARE

 1/2" SET SCREW (4)

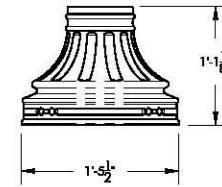
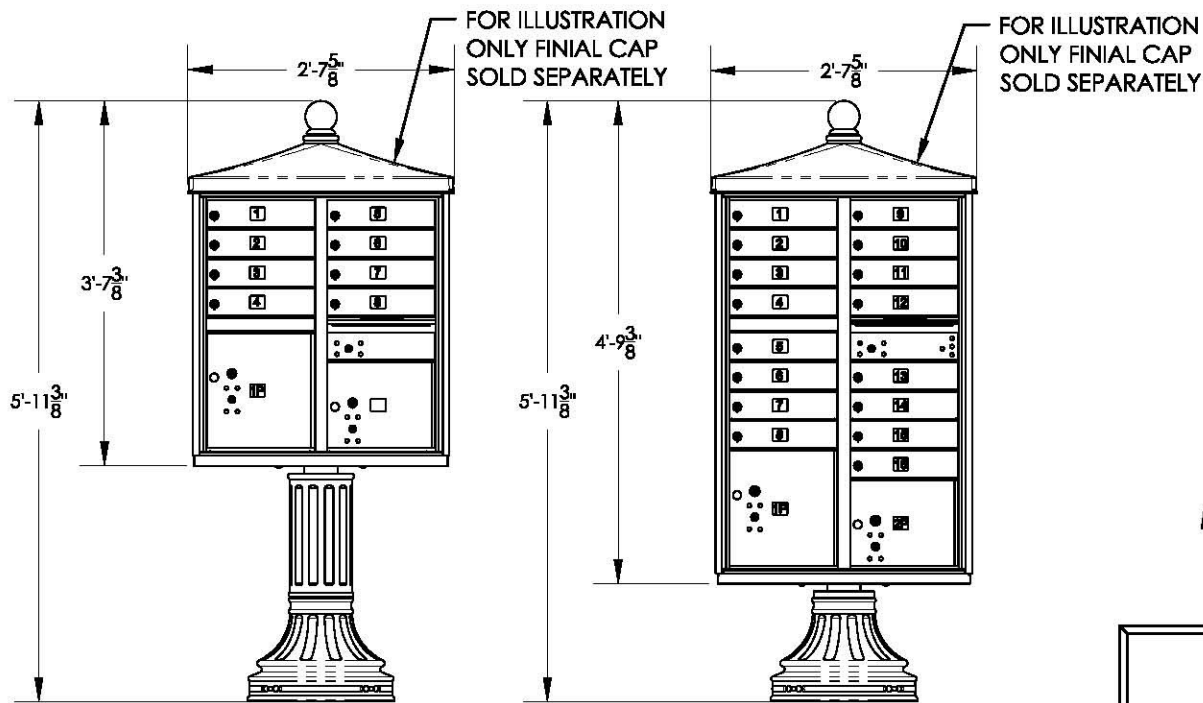
 1/4" SET SCREW (3)

TOOLS

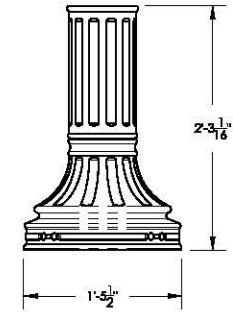


ALLEN WRENCHES
(NOT INCLUDED)

vogue™ Traditional Series Column Pedestal Cutsheet

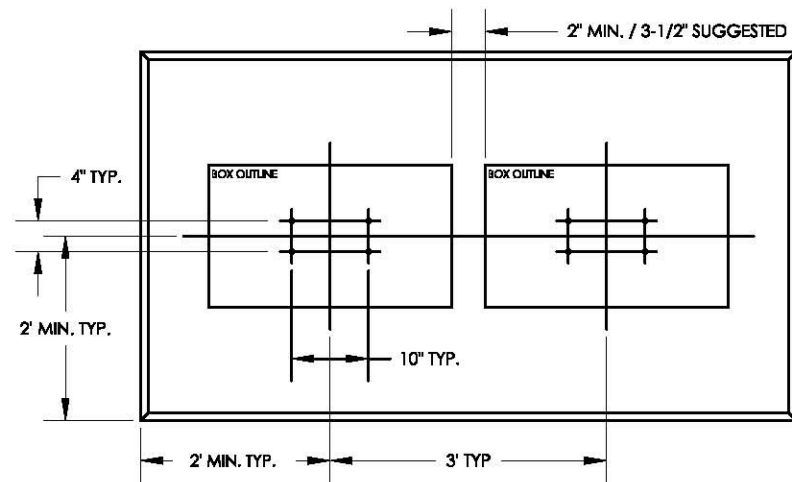


FRONT & SIDE VIEW
SHORT PEDESTAL
(VOGUEPA14)



FRONT & SIDE VIEW
TALL PEDESTAL
(VOGUEPA28)

MULTI-UNIT PAD SPECIFICATION IF INSTALLING WITH FINIAL CAP



NOTES:

1. CBU & PEDESTAL MUST BE ASSEMBLED AND FULLY INSTALLED PRIOR TO ADDING ACCESSORIES.
2. TRADITIONAL PEDESTAL COVER AND CAP SOLD SEPARATELY.
3. AVAILABLE IN ALL STANDARD CBU POWDER COAT FINISHES.
4. TRADITIONAL PEDESTAL COVER INSTALLED USING CAP SCREWS (INCLUDED).
5. TRADITIONAL PEDESTAL COVER DESIGNED TO FIT OVER 1570 SERIES CBU PEDESTAL.

vogue™ Traditional Series Column Pedestal Cover

Assembly Instructions

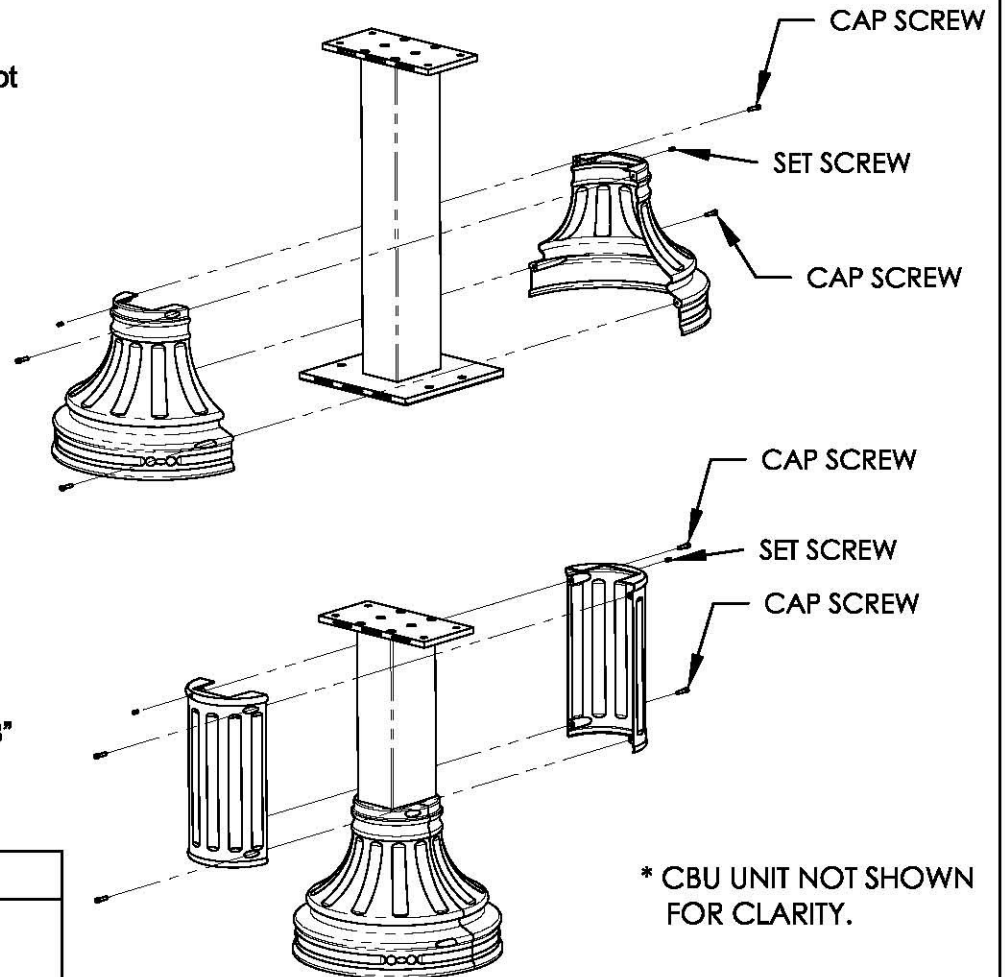
1 These instructions assume that you have already properly installed the vital™ Cluster Box Unit (CBU). If the CBU has not yet been installed, please refer to the instructions that came with the vital™ CBU.

2 For all CBU Types:
Attach the decorative base unit to the CBU post as shown using four of the 3/4" cap screws.

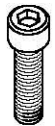
Secure the base against the CBU post using two of the 5/8" headless set screws. Do not over tighten and make sure all screws are tightened evenly.

3 Additional step for CBU Types I and II:
Attach the decorative column unit to the CBU post as shown using four of the 3/4" cap screws.

Secure the column against the CBU post using two of the 5/8" headless set screws. Do not over tighten and make sure all screws are tightened evenly.



HARDWARE

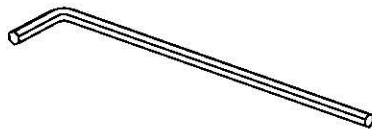


3/4" CAP SCREW (8)



5/8" SET SCREW (4)

TOOLS



Allen wrenches
(not included)