

vogue™ Traditional Series Column Pedestal Cover

Assembly Instructions

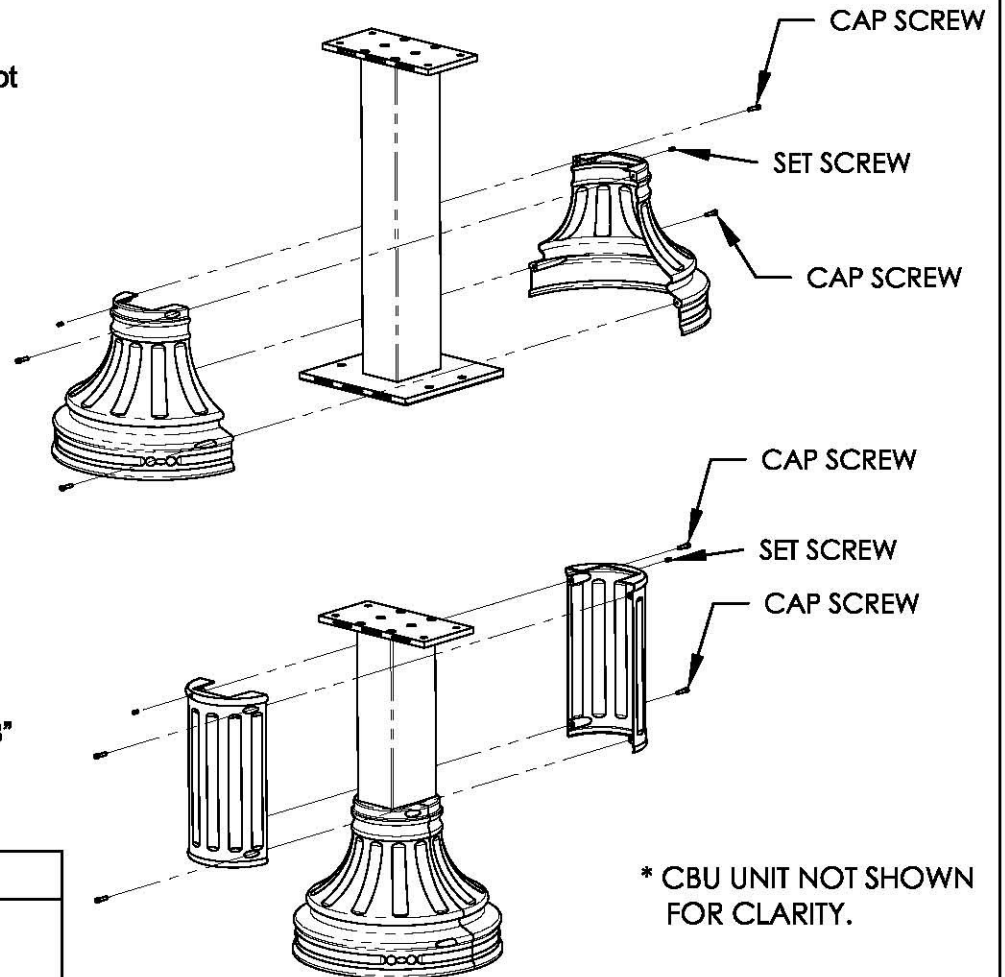
1 These instructions assume that you have already properly installed the vital™ Cluster Box Unit (CBU). If the CBU has not yet been installed, please refer to the instructions that came with the vital™ CBU.

2 For all CBU Types:
Attach the decorative base unit to the CBU post as shown using four of the 3/4" cap screws.

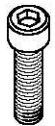
Secure the base against the CBU post using two of the 5/8" headless set screws. Do not over tighten and make sure all screws are tightened evenly.

3 Additional step for CBU Types I and II:
Attach the decorative column unit to the CBU post as shown using four of the 3/4" cap screws.

Secure the column against the CBU post using two of the 5/8" headless set screws. Do not over tighten and make sure all screws are tightened evenly.



HARDWARE

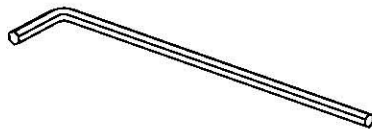


3/4" CAP SCREW (8)



5/8" SET SCREW (4)

TOOLS



Allen wrenches
(not included)