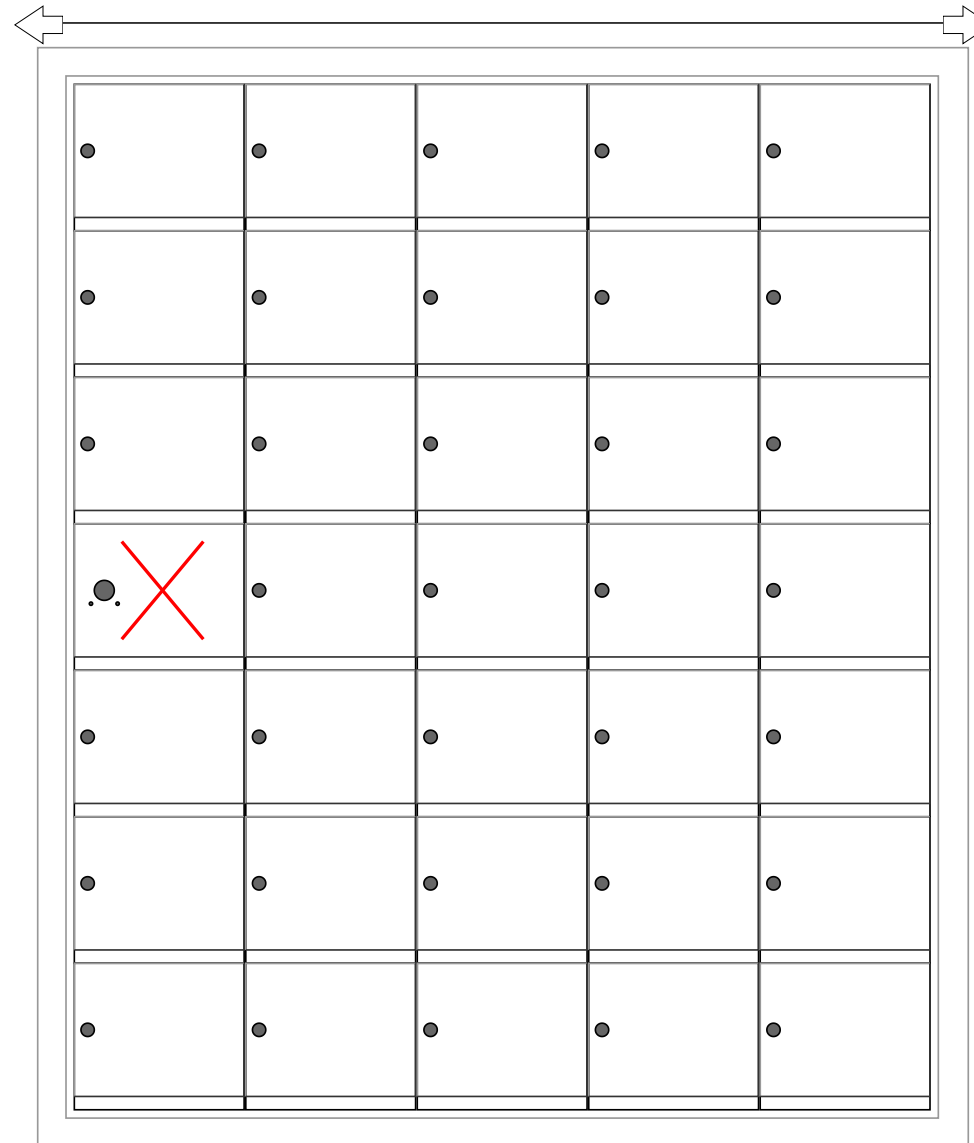


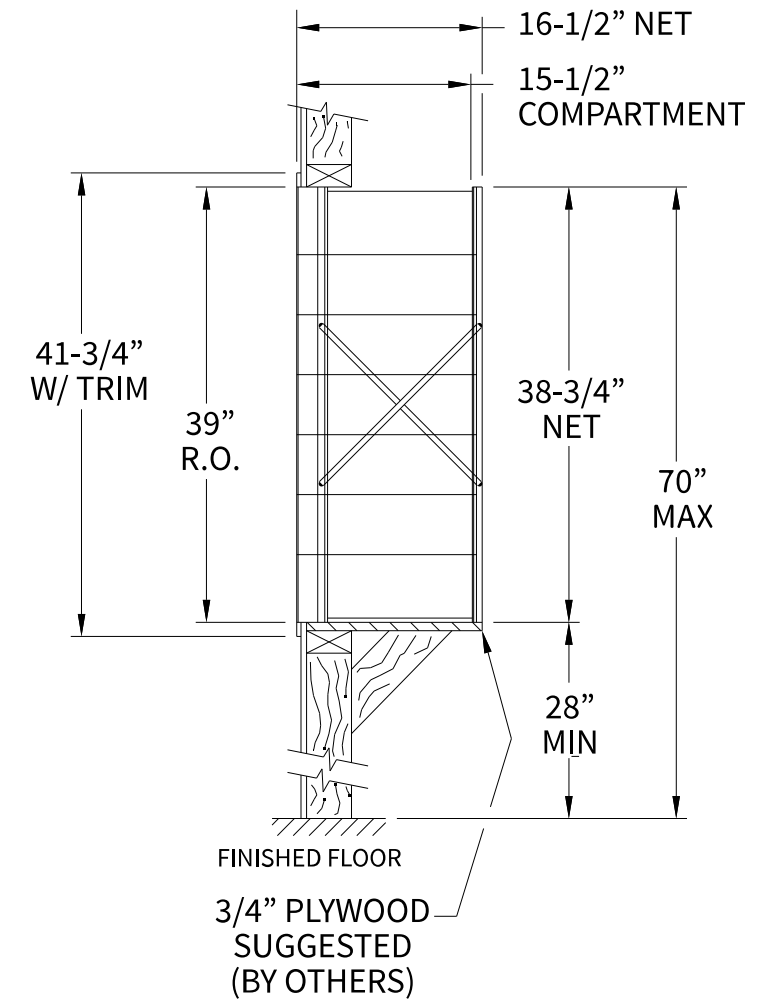
140075 Dimensions

Overall Width w/ Trim: 36-1/8"
(Rough Opening: 33-7/8")



140075

Side View



Configuration Details:

- 1. **Product Type:** 1400 Horizontal
- 2. **Installation:** Front-load, Recessed Mount
- 3. **Finish:** Anodized Aluminum
- 4. **Locks:** Standard Cam Lock, 2 keys
- 5. **Door Id:** tbd
- 6. **Master Door:** tbd

Matching standard snap-on trim included

Models Used:

(1) 140075

Door Sizes Used:

(34) 1400 1x1 Compartment
(1) 1x1 Master

ELEVATION: 140075 | MAILBOXES: 34 |

PROJECT NAME: 1400 Series Mailbox | DRAWN BY: FLORENCE

AF FLORENCE manufacturing company 5935 Corporate Drive • Manhattan, KS 66503 www.florencemailboxes.com • 800.275.1747 A GIBRALTAR INDUSTRIES COMPANY	DATE: 01-15-2016	P.O. NO:
	SCALE: NONE	QUOTE NO:
	DRAWING NO. WEB-1934	SHEET 1 OF 1