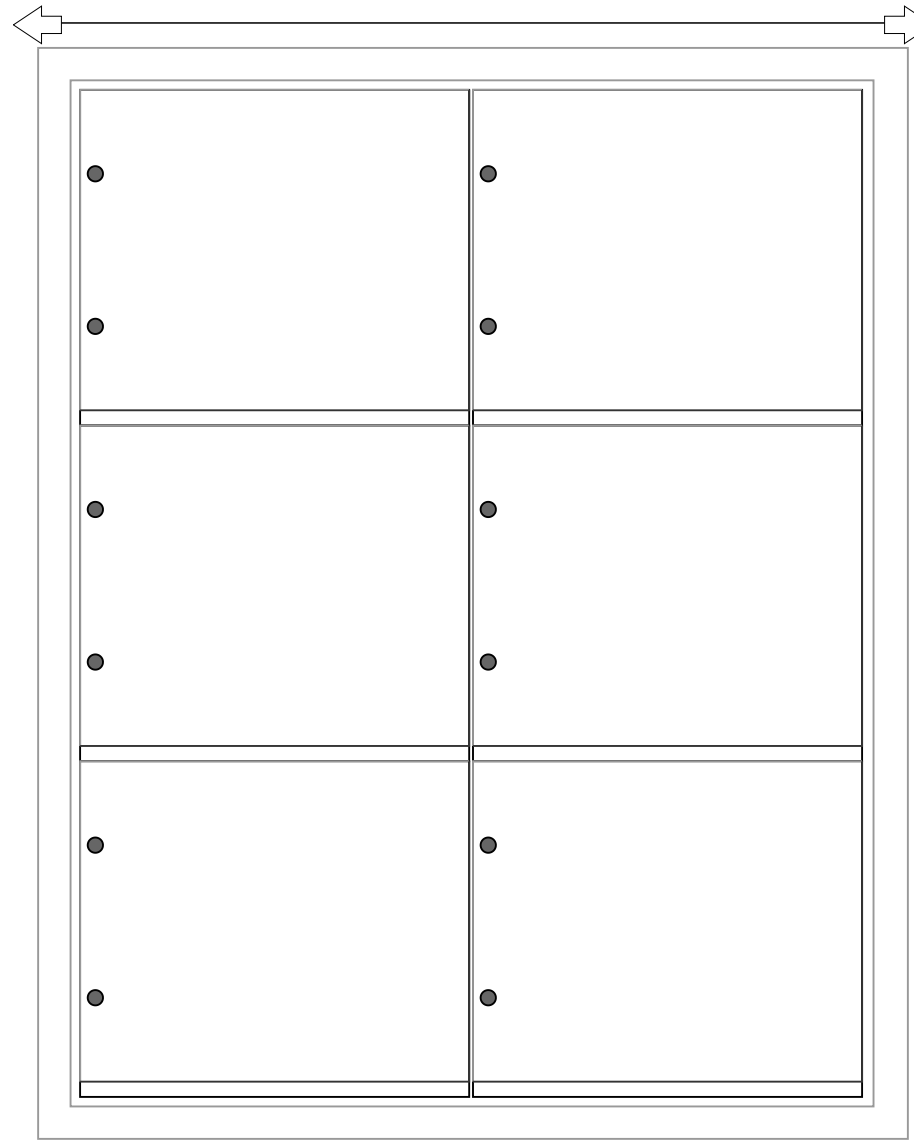


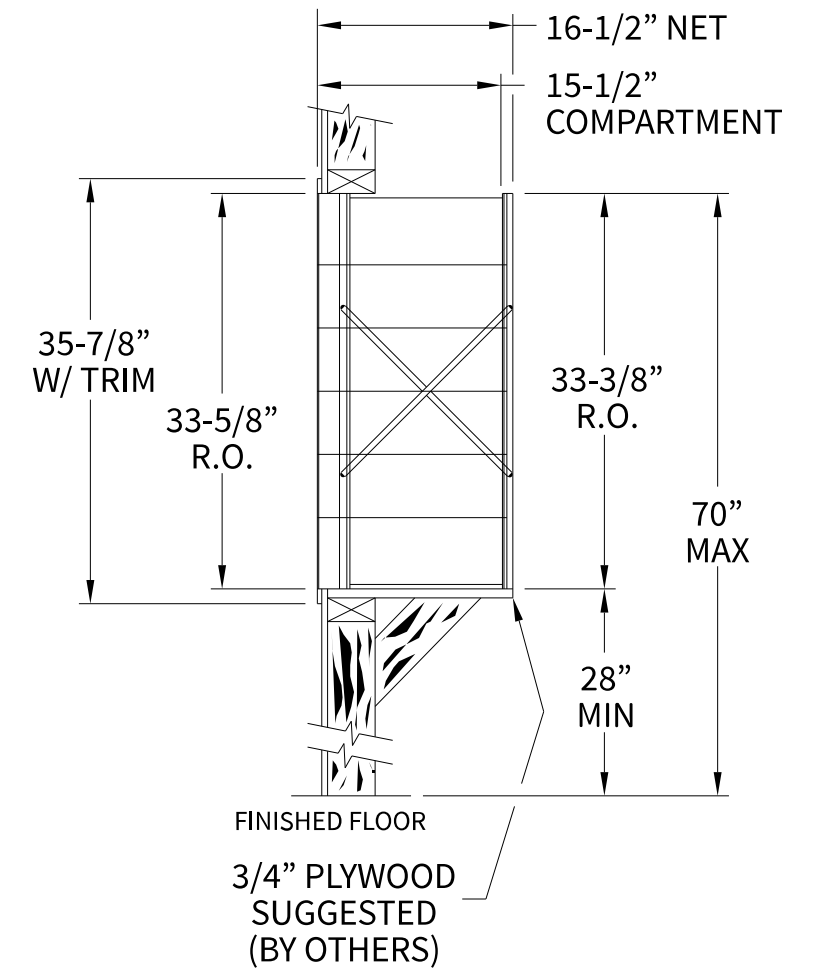
**140064PL Dimensions**

Overall Width w/ Trim: 29-3/4"  
(Rough Opening: 27-1/2")



**140064PL**

**Side View**



**Configuration Details:**

- 1. **Product Type:** 1400 Horizontal
- 2. **Installation:** Front-load, Recessed Mount
- 3. **Finish:** Anodized Aluminum
- 4. **Locks:** Standard Cam Lock, 2 keys
- 5. **Door Id:** tbd
- 6. **Master Door:** tbd

Matching standard snap-on trim included

**Models Used:**

(1) 140064PL

**Door Sizes Used:**

(6) 1404 2x2 Parcel

**U.S. MAIL SUPPLY**  
America's Mailbox Headquarters

262-782-6510 Toll Free: 800-571-0147

1553 E. Racine Ave. Waukesha, WI 53186

**ELEVATION:** 140064PL | **MAILBOXES:** 0 | **PARCELS:** 6 |

**PROJECT NAME:** 1400 Series Mailbox | **DRAWN BY:** FLORENCE

|  |                             |                     |
|--|-----------------------------|---------------------|
| <br>5935 Corporate Drive • Manhattan, KS 66503<br>www.florencemailboxes.com • 800.275.1747<br>A GIBRALTAR INDUSTRIES COMPANY | <b>DATE:</b> 01-15-2016     | <b>P.O. NO:</b>     |
|  | <b>SCALE:</b> NONE          | <b>QUOTE NO:</b>    |
|  | <b>DRAWING NO.</b> WEB-1933 | <b>SHEET 1 OF 1</b> |