

# Standard Letter Locker®

## LETTER LOCKER®

This is the highest quality box for your money.

Letter Locker® has a conditional Lifetime Warranty and is constructed of 14 and 16 gauge Electro-Galvanized steel with a one piece welded tubular frame. Includes Laser cut 14 gauge stainless steel red flag and dust cover with 3 keys.



## Standard Features

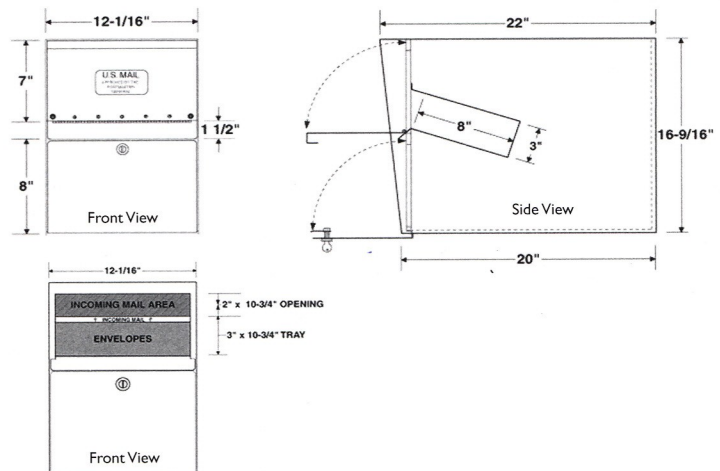
- Front Loading
- 5-pin Cam Lock with 3 Keys
- Constructed from Heavy Gauge Electro-Galvanized Steel
- Stainless Steel Red Flag
- Holds approximately 2 weeks of mail
- Conditional Lifetime Warranty

## Optional Features

- Surface Mount or In-Ground Post
- Newspaper Holder



MODEL SHOWN:  
Tan Standard with Surface Mount Post



## Available Finishes

