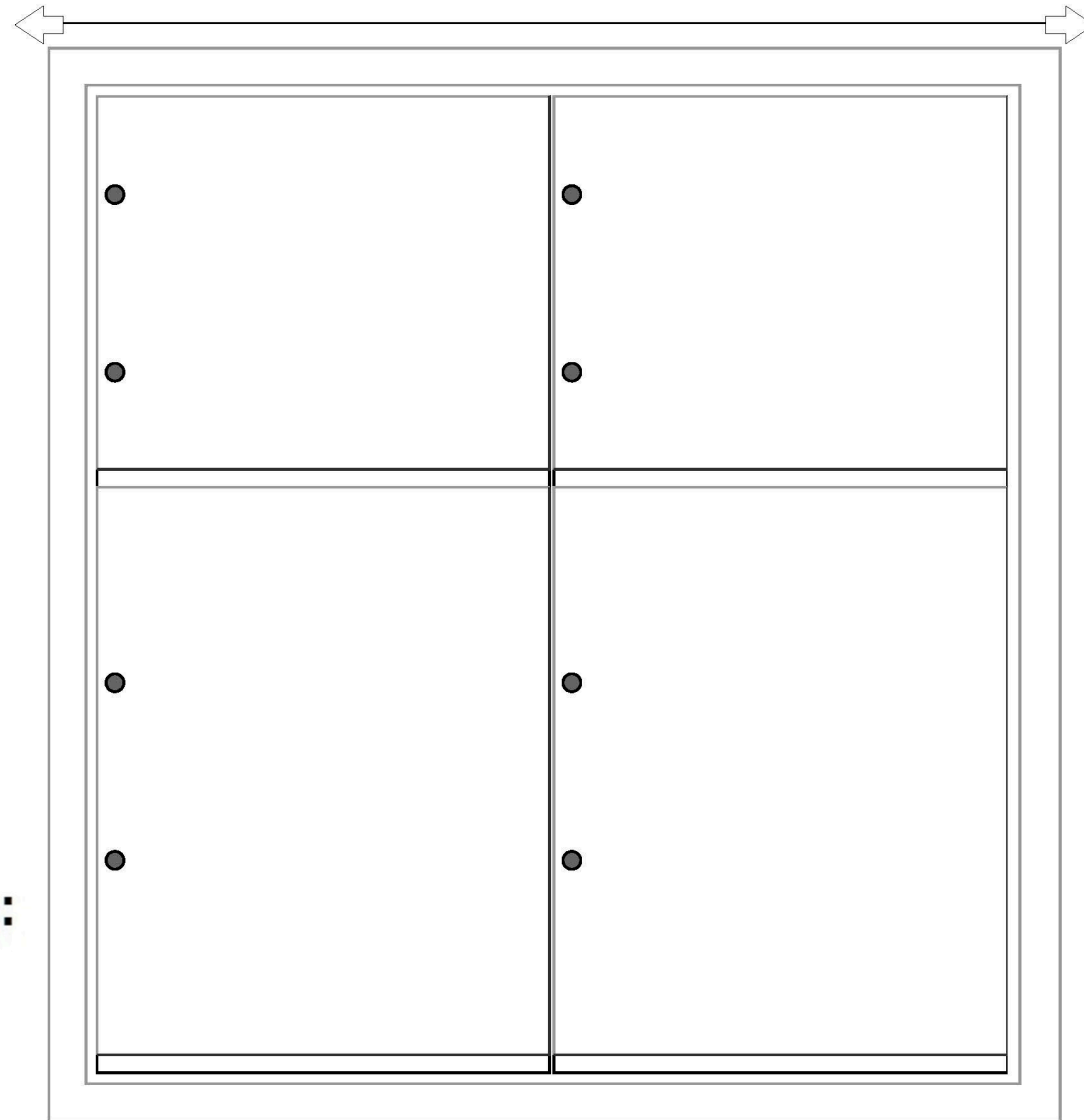


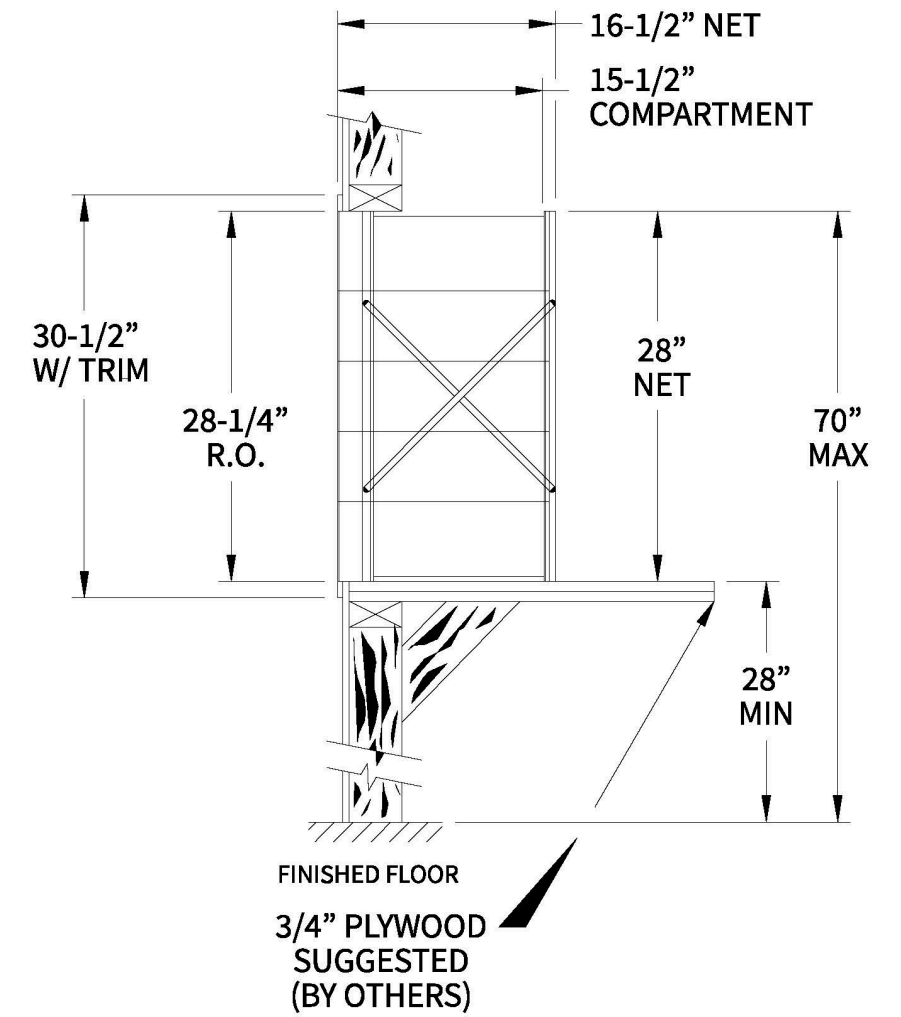
1400-54PL Dimensions

Overall Width w/ Trim: 29-3/4"
(Rough Opening: 27-1/2")



140054PL

Side View



This Product Distributed By:
U.S. Mail Supply, Inc.
 3065 North 124th Street
 Brookfield, WI 53005-3857
 Ph: 800-571-0147 / Fax: 800-589-1068
 www.usmailsupply.com

Configuration Details:

1. **Product Type:** 1400 Horizontal
2. **Installation:** Front-load, Recessed Mount
3. **Finish:** tbd
4. **Locks:** tbd
5. **Door Id:** tbd

Matching standard snap-on trim included

Models Used:

(1) 140054PL

Door Sizes Used:

- (2) 1404 2x2 Parcel
- (2) 1406 2x3 Parcel

DO NOT SCALE OFF DRAWING

ELEVATION: 1400-54PL MAILBOXES: 0 PARCELS: 4		
DEALER: U.S. MAIL SUPPLY, INC.		
PROJECT NAME: 1400 SERIES		DRAWN BY:
 5935 Corporate Drive • Manhattan, KS 66503 www.florencemailboxes.com • 800.275.1747 A GIBALTAR INDUSTRIES COMPANY	DATE: 01-29-2016	P.O. NO:
	SCALE: NONE	QUOTE NO:
	DRAWING NO. WEB-24509	SHEET 3 OF 10